

M 88 TG

Dynamic Microphone

Order # 437.115



FEATURES

- Highly defined hypercardioid polar characteristic
- Sensitive, accurate response
- Extended frequency range with rising high end and exceptional bass reproduction
- High SPL handling capability
- Integral -20 dB humbucking filter

APPLICATIONS

The M 88 TG offers both a wide frequency response and rugged construction making an ideal combination for many applications.

In the studio and live use its high SPL capability allows the microphone to be placed close to loud sound sources such as kick drum and bass guitar (when using with a kick drum, an additional wind shield such as WS 59 or PS 88 has to be used). It is also equally impressive as a vocal microphone or for brass and windwood instruments.

The M 88 TG has a reinforced basket to withstand rough handling when being used for more demanding applications. The M 88 TG is often used in a broadcast environment as an announcers or EFP microphone.

SUPPLIED ACCESSORIES

MKV 8	Microphone clamp with 3/8" internal thread, for shaft diameters of 22 - 32 mm	Order # 407.216
-------	---	-----------------

TECHNICAL SPECIFICATIONS

Transducer type	Dynamic moving coil
Operating principle	Pressure gradient
Frequency response	30 - 20,000 Hz
Polar pattern	Hypercardioid
Rear attenuation at 1 kHz	> 23 dB at 120°
Open circuit voltage at 1 kHz (0 dB = 1 V/Pa)	2.9 mV/Pa
Magnetic field suppression	> 20 dB = 50 Hz
Nominal impedance	200 Ω
Load impedance	≥ 1000 Ω
Diaphragm	Hostaphan®
Casing	Brass
Connection	3-pin XLR male
Dimensions:	
Length	181 mm
Shaft diameter	25.5 mm
Head diameter	48.5 mm
Weight w/out cable	320 g

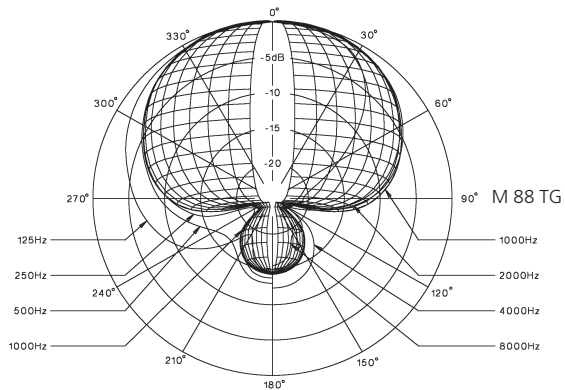
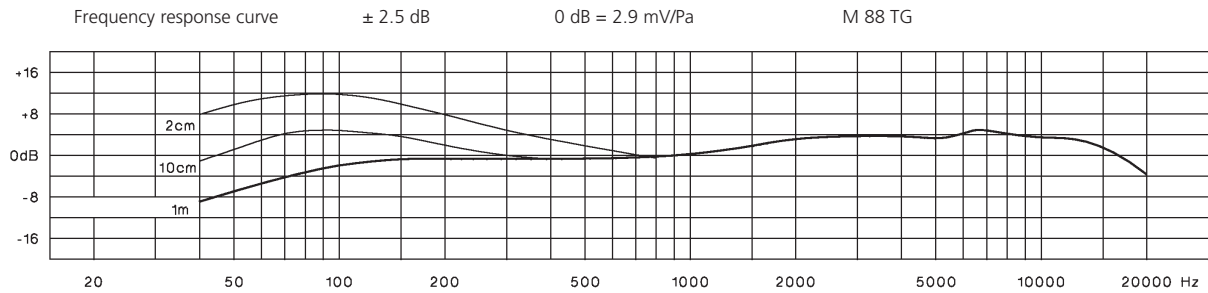
OPTIONAL ACCESSORIES

BMC 05 FM BLK	Standard microphone cable XLR-XLR, 5 m long	Order # 434.787
BMC 10 FM BLK	Standard microphone cable XLR-XLR, 10 m long	Order # 434.795
PS 88	Pop shield, charcoal-grey	Order # 111.414
WS 59	Wind shield, charcoal-grey	Order # 419.087

M 88 TG

FREQUENCY RESPONSE & POLAR PATTERN

This polar pattern and frequency response curve (measuring tolerance ± 2.5 dB) correspond to a typical production sample for this microphone.



WIRING DIAGRAM

Positive pressure produces positive voltage on red lead (+).

